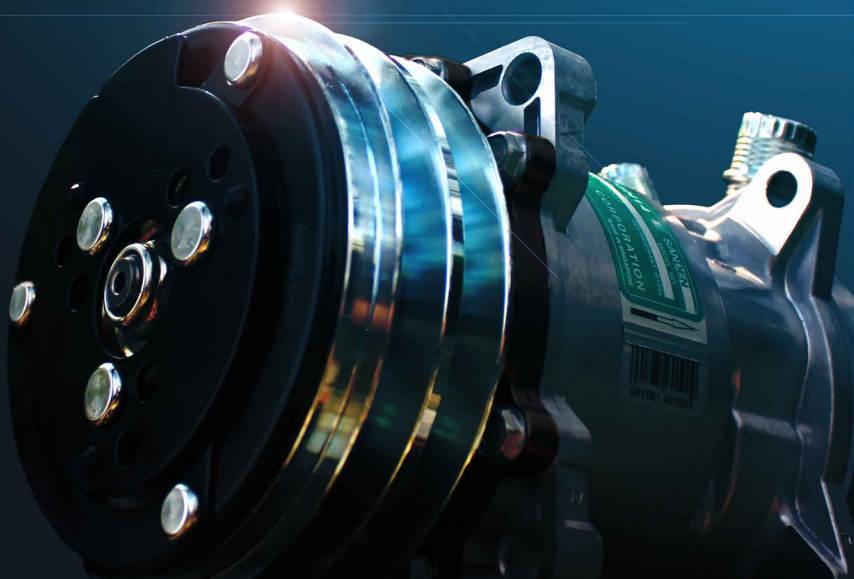




SANDEN SD5S

newest addition to the SD family



G. Koutsoullis & Son Ltd

Car Airconditioning Centre
Professional Mobile Refrigeration
Sales, Service & Spare Parts



SANDEN

Delivering Excellence



SD5S

- Ideal for Universal Application
- Reputed Durability & Performance
- Environmental Friendly 
- Oil Amount 135cc



Sanden is proud to introduce the latest addition to the SD5 & SD7 Compressor Family, SD5S. This new compressor features lean design catered towards optimizing weight and material, with no compromise on performance or durability.

The new SD5S Compressor features environmental friendly parts, with majority of the parts made from Aluminium (recyclable), and all parts are Heavy Metal Free (HMF). Styrofoam packaging material has been replaced with paper cushion design, using environment friendly material.

With extensive research and stringent test criteria, the quality and performance are validated to ensure only quality goods are delivered. The new SD5S Compressor provides optimum level of cooling performance and unsurpassed field durability.

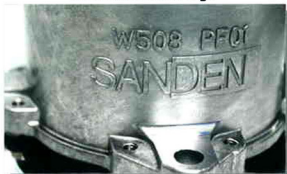
Paper Cushion Packaging



New Carton Box Design



New Embossed logo



New Ear Mount Design



SD5S Specification Table

SD5S11

Compressor Displacement: 108cc/rev

Maximum Allowable R.P.M: 7000

Maximum Continuous R.P.M: 6000

INFO

SD507 equivalent. In terms of,

- Physical Dimensions
- Compressor Displacement

VOLTAGE	GROOVE	CLUTCH			CYLINDER HEAD	MOUNTING	OIL		COMPRESSOR MODEL	REMARKS
		DIAMETER	GAUGE LINE	TERMINAL			TYPE	CC		
DC12	A2	125	44.25	AMP-60793-1	BC	EAR	SP20	135	6320	With Charge Valve
DC12	A2	125	44.25	CF250MEC	FL	EAR	SP20	135	6321	
DC12	A2	125	44.25	AMP-60793-1	FL	EAR	SP20	135	6333	
DC12	A2	125	44.25	CF250MEC	FL	EAR	SP20	135	6366	
DC12	A2	125	44.25	AMP-60793-1	FG	EAR	SP20	135	6367	
DC12	A2	125	44.25	AMP-60793-1	B	EAR	SP20	135	6368	
DC12	PV6	119	46.55	AMP-60793-1	K	EAR	SP20	135	6322	
DC12	PV6	119	46.55	AMP-60793-1	FL	EAR	SP20	135	6323	
DC12	PV8	119	46.55	AMP-60793-1	FL	EAR	SP20	135	6328	
DC12	PV8	119	46.55	AMP-60793-1	K	EAR	SP20	135	6358	
DC24	A2	125	44.25	AMP-60793-1	K	EAR	SP20	135	6356	
DC24	A2	125	44.25	AMP-60793-1	FL	EAR	SP20	135	6357	
DC24	PV8	119	46.55	AMP-60793-1	FL	EAR	SP20	135	6327	

SD5S14

Compressor Displacement: 138cc/rev

Maximum Allowable R.P.M: 7000

Maximum Continuous R.P.M: 6000

INFO

SD508 equivalent. In terms of,

- Physical Dimensions
- Compressor Displacement

VOLTAGE	GROOVE	CLUTCH			CYLINDER HEAD	MOUNTING	OIL		COMPRESSOR MODEL	REMARKS
		DIAMETER	GAUGE LINE	TERMINAL			TYPE	CC		
DC12	A2	132	39.55	AMP-60793-1	FG	EAR	SP20	135	5305	With Charge Valve
DC12	A2	132	39.55	AMP-60793-1	BC	EAR	SP20	135	6620	
DC12	A2	132	39.55	AMP-60793-1	FL	EAR	SP20	135	6626	
DC12	A2	132	39.55	AMP-60793-1	B	EAR	SP20	135	6692	With Charge Valve
DC12	PV7	119	46.55	AMP-60793-1	K	EAR	SP20	135	6628	
DC12	PV7	119	46.55	AMP-60793-1	FL	EAR	SP20	135	6629	
DC12	PV8	119	46.55	AMP-60793-1	FL	EAR	SP20	135	5312	
DC24	A2	132	39.55	AMP-60793-1	FG	EAR	SP20	135	5306	With Charge Valve
DC24	A2	132	39.55	AMP-60793-1	BC	EAR	SP20	135	6622	
DC24	A2	132	39.55	AMP-60793-1	FL	EAR	SP20	135	6627	
DC24	A2	132	39.55	AMP-60793-1	M	EAR	SP20	135	6632	
DC24	A2	132	39.55	AMP-60793-1	B	EAR	SP20	135	6698	With Charge Valve
DC24	B1	152	33.85	CP3.96MA	BC	EAR	SP20	135	6624	
DC24	PV8	119	46.55	AMP-60793-1	FL	EAR	SP20	135	5322	

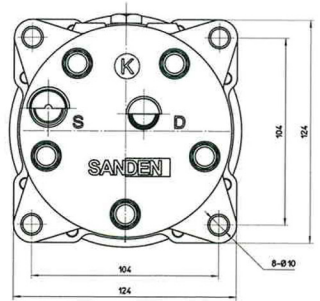
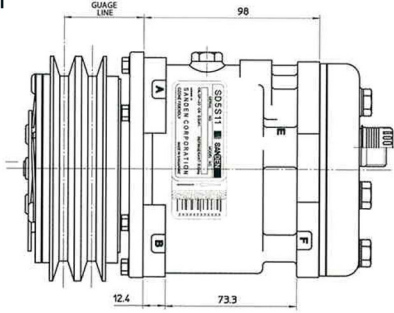


Enquiring on other models?

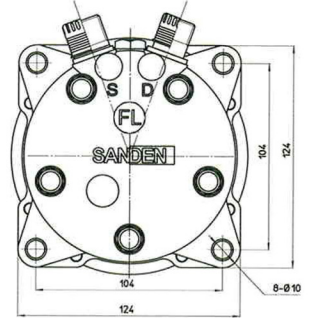
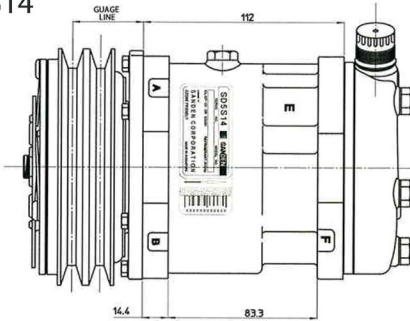
Should configurations differ, application or needs arise, please contact our authorised dealers, distributors or Sanden International Fronts for assistance.

SD5S Standard Drawing

SD5S11

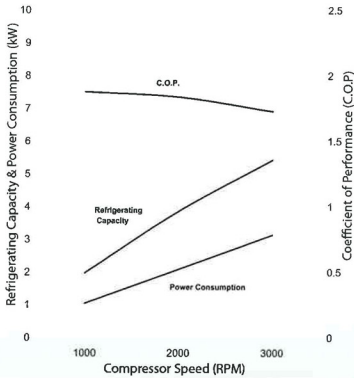


SD5S14

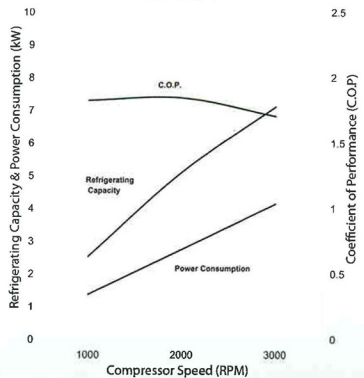


SD5S Performance Chart

SD5S11



SD5S14



TESTING CONDITIONS

Discharge Pressure : 1.67 MPaG , Suction Pressure : 196 kPaG , Sub Cool Temp. : 0 K , Super Heat Temp. : 10 K

Clutch Assembly for SD5S



FAMILY	VOLTAGE	GROOVE	DIAMETER	GAUGE LINE	TERMINAL
SD5S11	DC12	A2	125	44.25	AMP60793-1
	DC12	A2	132	44.25	AMP60793-1
	DC12	PV4	120	58.2	AMP60793-1
	DC12	PV5	120	58.2	AMP60793-1
	DC12	PV6	119	46.55	AMP60793-1
	DC12	PV8	119	46.55	AMP60793-1
	DC24	A2	125	44.25	AMP60793-1
	DC24	PV6	119	45	AMP60793-1
SD5S14	DC12	A2	132	39.55	AMP60793-1
	DC12	B1	152	33.85	AMP60793-1
	DC12	PV10	125	50.79	AMP60793-1
	DC12	PV4	119	46.55	AMP60793-1
	DC12	PV6	119	46.55	AMP60793-1
	DC12	PV7	119	46.55	AMP60793-1
	DC12	PV8	119	46.55	AMP60793-1
	DC24	A2	132	39.55	AMP60793-1
	DC24	B1	146	33.85	AMP60793-1
	DC24	B1	152	33.85	CP3.96MA
	DC24	PV10	125	50.79	AMP60793-1
	DC24	PV7	119	46.55	AMP60793-1
	DC24	PV8	119	46.55	AMP60793-1

Clutch Assembly Drawings

